

Specifications:

Typical @ 25°C ± 5°C

Model	7101C	7111C	7120
Image	EIA (Black & White)	EIA (Black & White)	NTSC (Color)
Image sensor	1/3" interline transfer CCD	1/3" interline transfer CCD	1/4" interline transfer CCD
Resolution	380 TV lines	380 TV lines	330 TV lines
Minimum illumination	.5 lux	.2 lux	4 lux
Signal to Noise ratio	50 dB	50 dB	46 dB
AGC	Yes	Yes	Yes
Lens	3.6mm F2.0	3.6mm F2.0	3.6mm F2.0
Power	8-14 VDC	8-14 VDC	8-14 VDC
Power supply part #	350-083	350-083	350-083
Power consumption	1 W	1 W	1.5 W

Warranty

Multiplex Technology, Inc. warrants this product to be free from defects in materials and workmanship for a period of one year from the date of purchase or MTI will repair, or at its option, replace the defective product. To obtain warranty service, call MTI for a return material authorization (RMA) number and return the product prepaid

Attention: Customer Service.

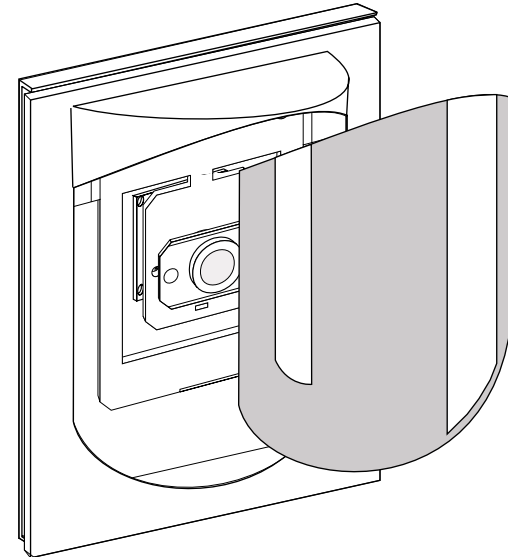
Please put the RMA number on the outside of the carton.

Any implied warranty arising from the sale of the product including implied warranties of merchantability and fitness for purpose are limited to the warranty stated above. MTI shall not be responsible for losses or damages or expenses, whether direct, consequential or incidental arising from the use of or the inability to use this product. Some states do not allow limitations on how long the implied warranty lasts or the exclusion or limitation or incidental or consequential damages, so the above limitations and exclusions may not apply to you. This warranty gives you specific legal rights, and you may have other rights which may vary from state to state.

Channel Plus®

PERFORMANCE MULTI-ROOM VIDEO

7100 Series 'C' Camera



Model 7101C B&W

Model 7111C Low Light B&W

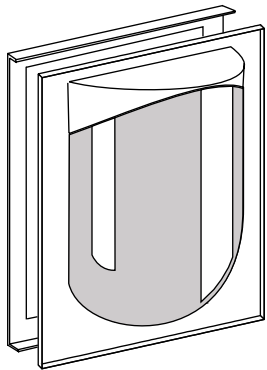
Model 7120 Color

Model 7100 Universal Mount and Housing

 **multiplex®**
technology, inc. 

ChannelPlus 7100 Series Solid State Cameras

The 7100 series are versatile solid state cameras, designed to fit standard, deep double gang J boxes. The power supply terminals and BNC video connector are mounted on a PC board for maximum ruggedness and dependability. Although this camera mount is intended for use indoors, or under an eave, a drip cap is supplied for use in exposed areas.



Model 7101C Black & White Camera

512x492 pixels, .5 lux, 3.6 mm lens
Smoked window
Includes power supply (12 VDC @ 250 mA)

Model 7111C Black & White Camera for lower light applications

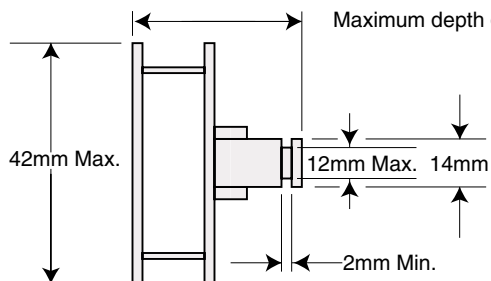
512x492 pixels, .2 lux, 3.6 mm lens
Purple, IR transmissive window
Includes power supply (12 VDC @ 250 mA)

Model 7120 Color Camera

512x492 pixels, 4 lux, 3.6 mm lens
Smoked lens
Includes power supply (12 VDC @ 250 mA)

7100 Universal Camera Mount

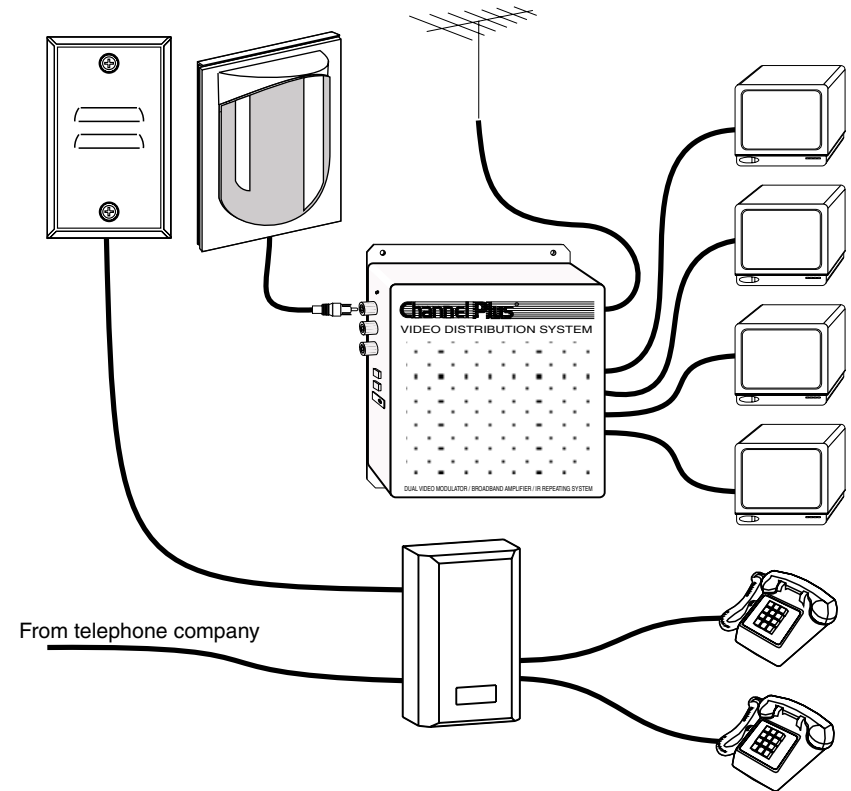
The 7100 camera mount can be used with most brands of solid-state board cameras. The mount fits all board cameras with these dimensions.



Model 7100 Universal Camera Mount will accept cameras of these dimensions. (It will not work pinhole lens.)

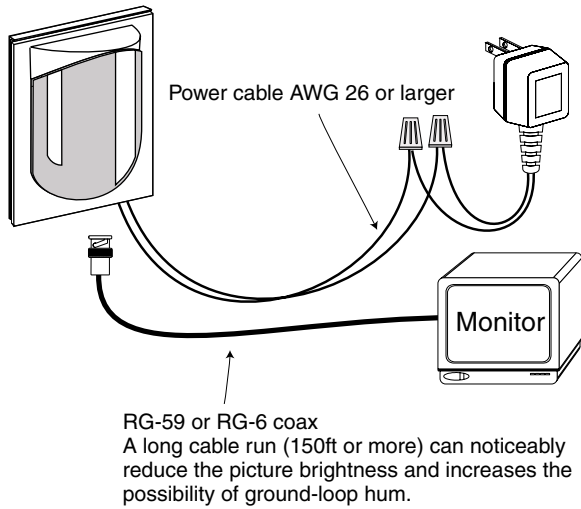
US Patent pending

Adding the DoorTel Front Door Intercom.

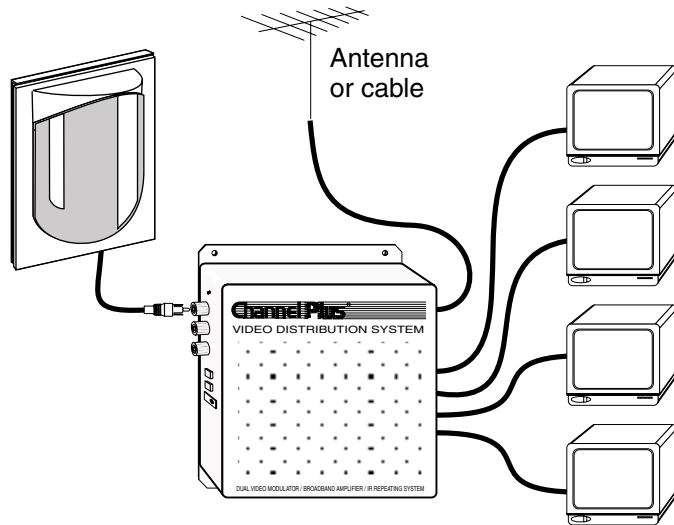


A ChannelPlus DoorTel system (model 9400) is an ideal addition to this system. In this house, when the doorbell rings, the homeowner changes the TV to the front door channel and picks up any phone in the house. The homeowner can talk with and see the guest at the front door.

Connecting the Camera

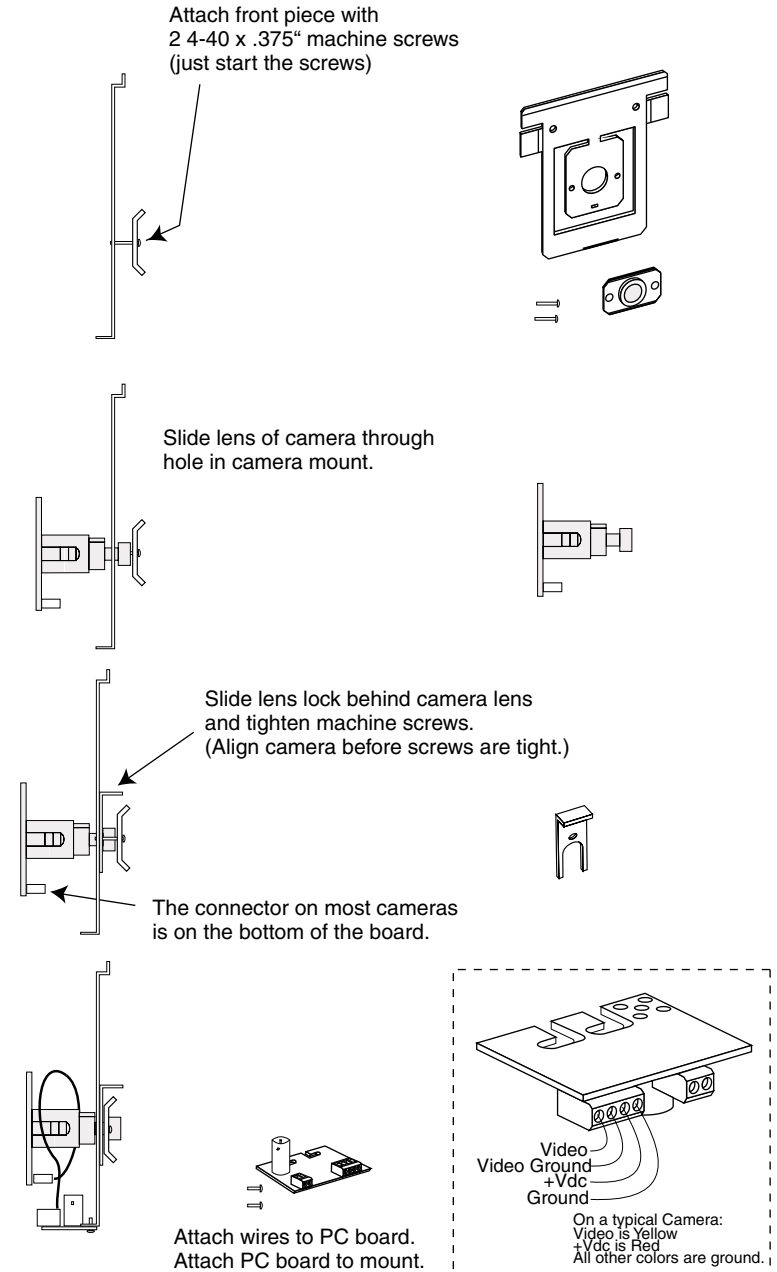


Viewing the Camera From All TVs in a House

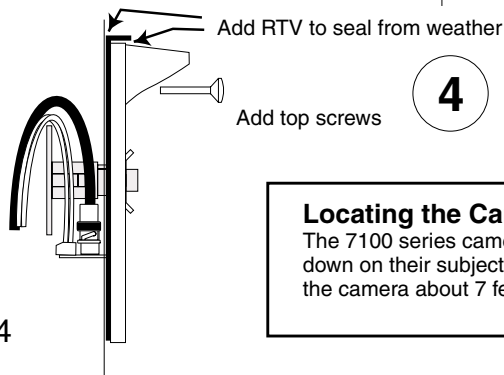
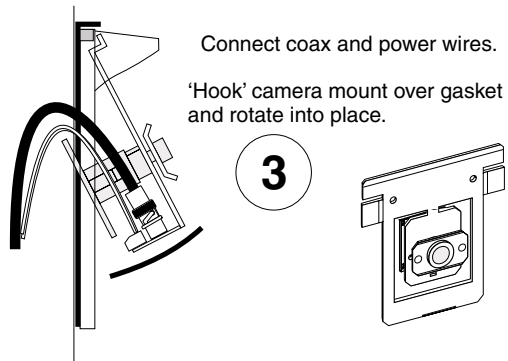
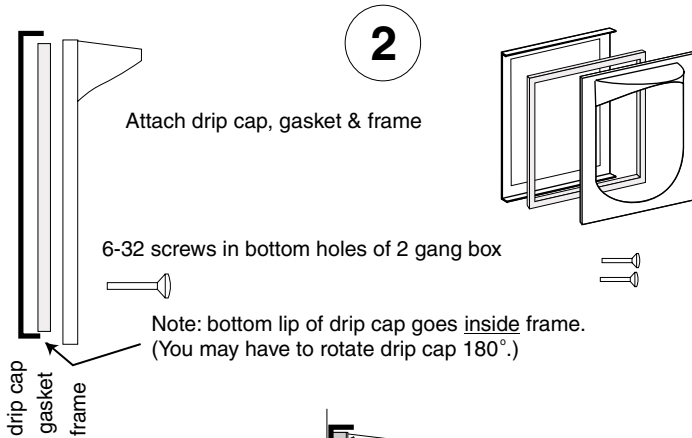
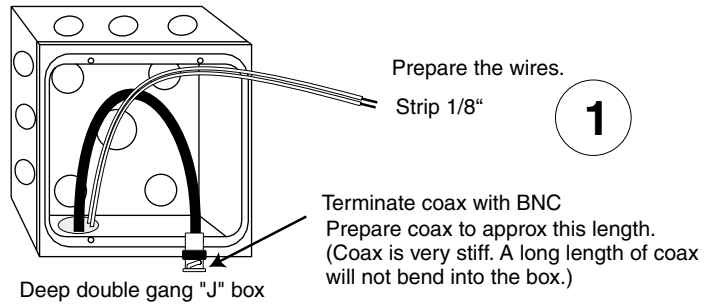


Using an All in One Video Distribution System such as a ChannelPlus model 3015, you may view the camera on an unused UHF or cable channel. (For example, the front door camera could be UHF channel 50. All antenna channels will appear normal.)

Assembling the camera to the mount



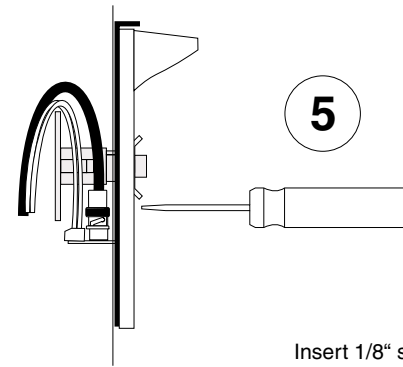
Installing the Camera



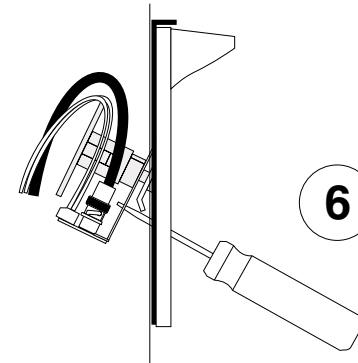
Locating the Camera

The 7100 series cameras work best when they are looking down on their subject. For a front door application, place the camera about 7 feet off the ground, adjacent to the door.

Aiming the Camera



Insert 1/8" screwdriver in the steering slot below the lens. Using the screwdriver, bend the mount to point the camera in the desired direction. Never use the camera to bend the mount!



Attaching the Window

